



## 4x2 HDMI 2.0 Matrix with output 4K to 1080p down scaling 18Gbps

This high-performance HDMI Matrix Switcher can switch any of these four HDMI sources to two HDMI displays. It supports resolution up to 4K2K@60Hz YCbCr 4:4:4 and HDCP 2.2. It can extract HDMI source device audio to optical and analog L/R output. It supports 4K→1080P downscale function if the source is 4K, but the TV only supports up to 1080P. It also supports ARC and EDID (AUTO/COPY/STD) function, with its 18Gbps bandwidth and the additional features with the latest HDMI standards, and flexible control via front panel buttons and IR remote.

### Feature Highlights

- HDMI 2.0, HDCP 2.2 / HDCP 1.4, and DVI 1.0 compliant
- Supports 4 HDMI inputs and 2 HDMI outputs
- Video resolution up to 4K2K@60Hz YCbCr 4:4:4
- Supports 18Gbps uncompressed bandwidth on all HDMI
- Supports Dolby Vision, HDR 10+, HLG
- Supports extracting HDMI input source device audio of OUT A or OUT B to optical and analog L/R output
- OUT A and OUT B support 4K to 1080P downscale function
- Supports ARC (Audio Return Channel) function
- Supports advanced EDID management including AUTO, COPY, and STD
- Control is via front panel buttons and IR remote

**SPECIFICATIONS**

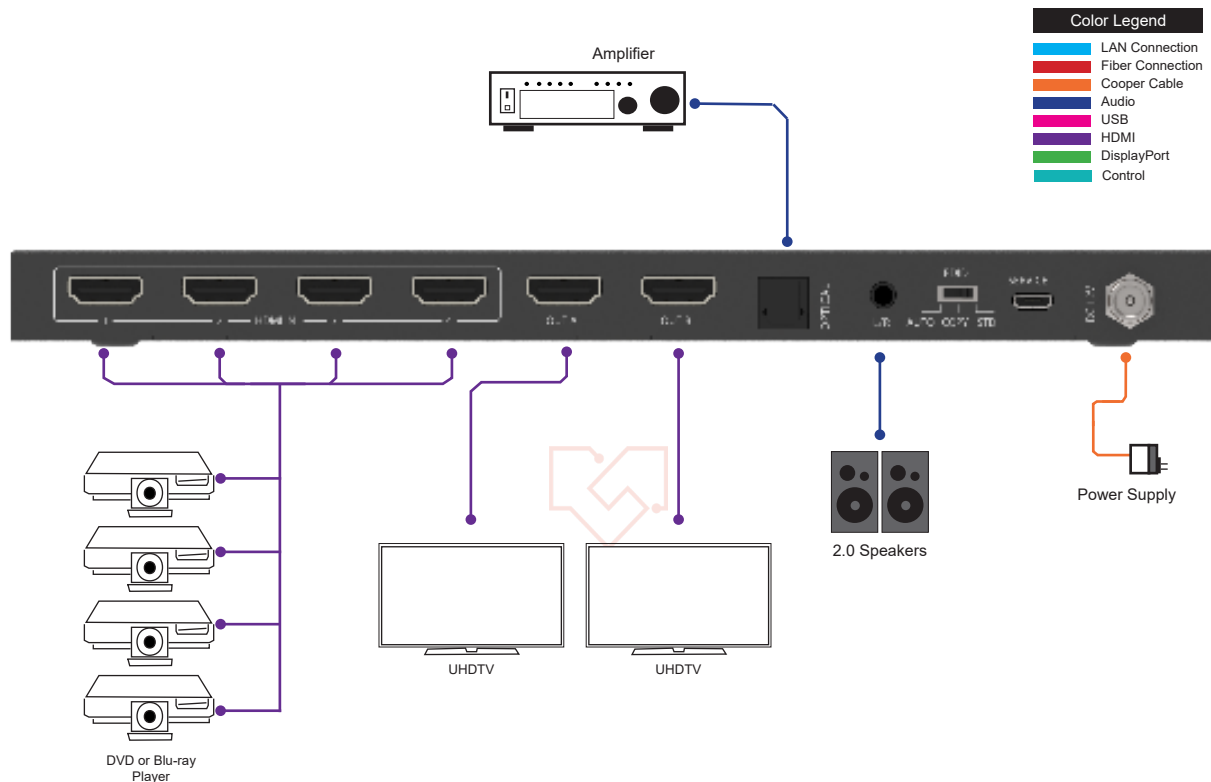
<b>HDMI Compliance</b>	Technical
<b>HDCP Compliance</b>	HDMI 2.0
<b>Video Bandwidth</b>	HDCP 2.2 and HDCP 1.4
<b>Video Resolution</b>	Up to 4K2K@50/60Hz(YCbCr 4:4:4),4K2K@30Hz.All HDMI
<b>Color Space</b>	RGB, YCbCr4:4:4,YCbCr4:2:2, YCbCr 4:2:0
<b>Color Depth</b>	8-bit, 10-bit, 12-bit [1080P, 4K30Hz, 4K60Hz (YCbCr 4:2:0)] 8-bit [4K60Hz (YCbCr4:4:4)]
<b>HDMI Audio Formats (Pass-through)</b>	PCM2.0/5.1/7.1CH, Dolby Digital/Plus/EX, Dolby True HD, DTS, DTS-EX, DTS-96/24, DTS High Res, DTS-HD Master Audio, DSD
<b>Optical Audio For-mats</b>	PCM2.0, Dolby Digital / Plus, DTS
<b>L/R Audio Formats</b>	PCM2.0CH (Note: If the ARC function is turned on, the audio port will mute.)
<b>ESD Protection</b>	Human-body Model: ±8kV (Air-gap discharge), ±4kV (Contact discharge)

**MECHANICAL**

<b>Housing</b>	Metal Enclosure
<b>Color</b>	Black
<b>Dimensions</b>	251mm(W)×105mm(D)×20mm(H)
<b>Weight</b>	620g
<b>Power Supply</b>	Input: AC100~240V 50/60Hz Output: DC12V/1A
<b>Power Consumption</b>	3.8W (max)
<b>Operating Temperature</b>	0°C ~ 40°C / 32°F ~ 104°F
<b>Storage Temperature</b>	-20°C ~ 60°C / -4°F ~ 140°F
<b>Relative Humidity</b>	20~90% RH (Non-Condensation)

**CONNECTIONS**

<b>Input Ports</b>	4×HDMI Type A [19-pin female]
<b>Output Ports</b>	2×HDMI Type A [19-pin female] 1×L/R audio out [3.5mm Stereo Mini-jack] 1×OPTICAL audio out [S/PDIF]

**APPLICATION EXAMPLE**

**Applications**

Digital Signage, Conference Rooms, Operating Rooms and Audio-Video Rooms