

Front side



Back side

## 16x16 HDMI 2.0 Matrix 18Gbps

The 18Gbps 16x16 HDMI Matrix supports the transmission of video (resolution up to 4K2K@ 60Hz YUV 4:4:4) and multi-channel high-resolution digital audio from 16 HDMI sources to 16 HDMI displays. Audio de-embedded to coaxial audio is supported from 16 HDMI output ports. While the HDMI output ARC function is enabled, the ARC audio from HDMI display devices will be extracted to coaxial audio output. Each HDMI output of this 16x16 HDMI Matrix supports 4K2K to 1080P downscaler independently. Control via front panel buttons, IR remote, RS-232, LAN, and Web GUI.

### Featured Highlights

- HDMI 2.0b, HDCP 2.2/1.x, and DVI 1.0 compliant
- Video resolution up to 4K2K@60Hz (YUV 4:4:4) on all HDMI ports
- Support 18Gbps video bandwidth
- HDR, HDR10, HDR10+, Dolby Vision and HLG are supported.
- Support 4K->1080P Down Scaler for each output port
- HDMI audio pass-through up to 7.1CH HD audio (LPCM, Dolby TrueHD and DTS-HD Master Audio)
- Audio de-embedded is supported via coax ports
- ARC, CEC and smart EDID management are supported
- 1U rack mounted design with front panel OLED display
- Control via front panel buttons, IR remote, RS-232, LAN, and Web GUI

## SPECIFICATIONS

HDMI Compliance	HDMI 2.0b
HDCP Compliance	HDCP 2.2/1.x
Video Bandwidth	18Gbps
Video Resolution	Up to 4K2K@60Hz (4:4:4)
Color Space	RGB, YCbCr 4:4:4/4:2:2/4:2:0
Color Depth	8-bit, 10-bit, 12-bit
HDMI Audio Formats (Pass-through)	LPCM 2/5.1/7.1, Dolby Digital, DTS 5.1, Dolby Digital+, Dolby TrueHD, DTS-HD Master Audio, Dolby Atmos, DTS:X
Coax Audio Formats	LPCM 2.0, Dolby Digital / Plus, DTS 5.1
HDR formats	HDR10, HDR10+, Dolby Vision, HLG
ESD Protection	Human-body Model: ±8kV (Air-gap discharge), ±4kV (Contact discharge)

Resolution / Cable Length	4K60 - Feet / Meters	4K30 - Feet / Meters	1080P60 - Feet / Meters
HDMI IN / OUT	16ft / 5M	32ft / 10M	50ft / 15M

The use of "Premium High Speed HDMI" cable is highly recommended.

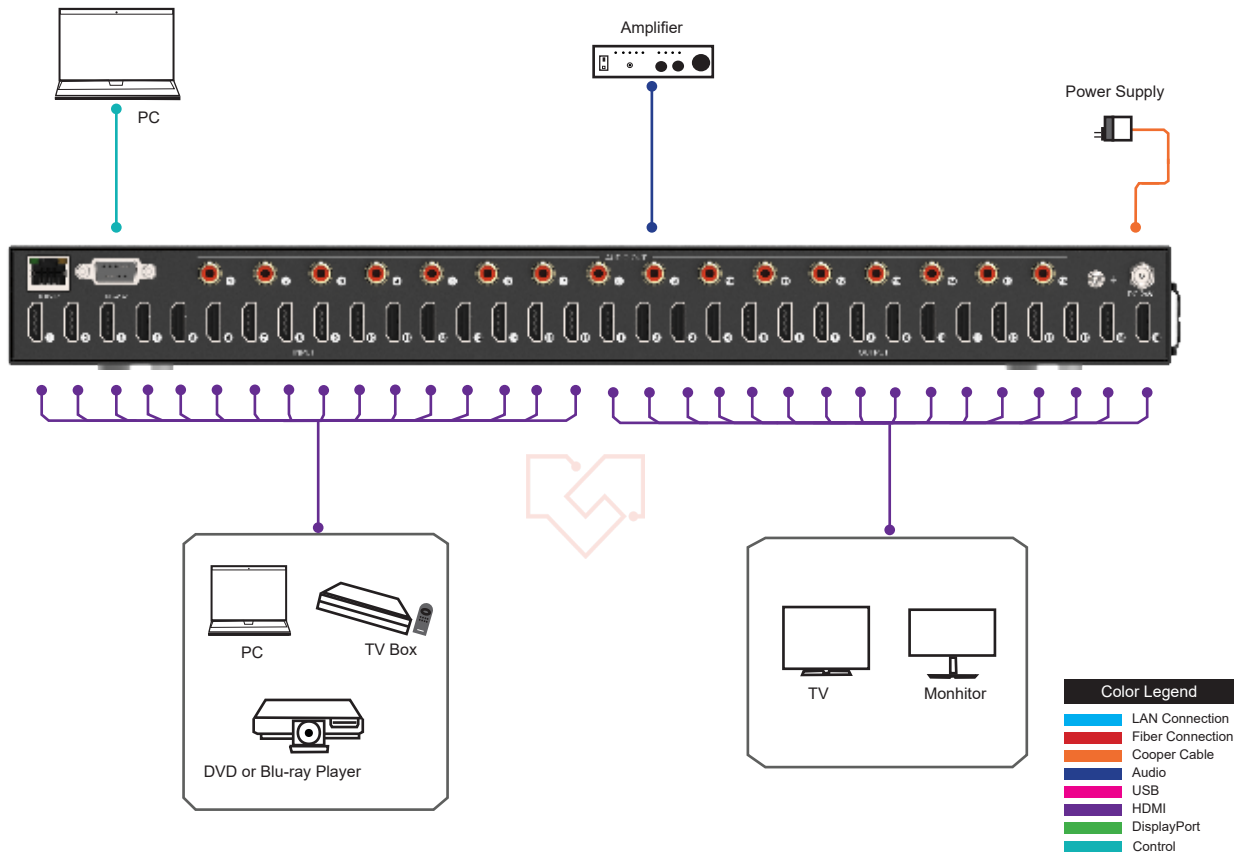
## CONNECTIONS

Input Ports	16×HDMI Type A [19-pin female]
Output Ports	16×HDMI Type A [19-pin female] 16×Coax Audio (RCA)
Control Ports	1×TCP/IP [RJ45] 1×RS-232 [D-Sub 9]

## MECHANICAL

Housing	Metal Enclosure
Color	Black
Dimensions	440mm (W)×200mm (D)×44mm (H)
Weight	3.1kg
Power Supply	Input: AC 100 - 240V 50/60Hz, Output: DC 24V/3.75A (US/EU standard, CE/FCC/ULcertified)
Power Consumption	76.8W
Operating Temperature	-10°C ~ 45°C / 14°F ~ 113°F
Storage Temperature	-20°C ~ 60°C / -4°F ~ 140°F
Relative Humidity	20~90% RH (Non-Condensation)

## APPLICATION EXAMPLE



Applications

Digital Signage, Conference Rooms, Operating Rooms and Audio-Video Rooms